

C-Band Telemetry Transmitter (Dual Freq.)



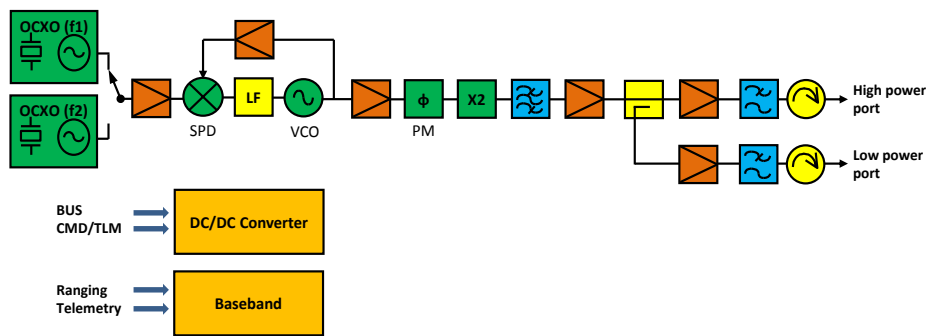
Features

- ❖ Compact size and low mass
- ❖ High Frequency Stability using OCXO
- ❖ Low Phase Noise using PLL
- ❖ Switchable between two frequencies and between HP/LP mode
- ❖ Adjustable to any bus, ranging and telemetry interfaces

Heritage

- ❖ Thaicom
- ❖ Intelsat
- ❖ ABS
- ❖ Eutelsat and more

Block Diagram



Main Performances

Operating Frequency Range	3.4 - 4.2 GHz
Output Power (High Power)	40 dBm typ.
(Low Power)	28 dBm typ.
Frequency Stability at AT level	± 0.4 ppm
Frequency Stability over life	± 1.7 ppm
Spurious	< -60 dBc
Harmonics	< -45 dBc
Phase Noise 10 Hz	< -64 dBc/Hz
100 Hz	< -84 dBc/Hz
1 kHz	< -101 dBc/Hz
Power Consumption (High Power)	48 W nom.
(Low Power)	11 W nom.
Dimension (L x W x H)	280 x 120 x 160 mm
Mass	< 2.3 kg

*Non contractual information. Subject to change without notice.

For further information please contact us at: sales@east.melos.co.jp or by phone: +81-3-5719-8645