

# Ku-Band Telemetry Transmitter (Single Freq.)



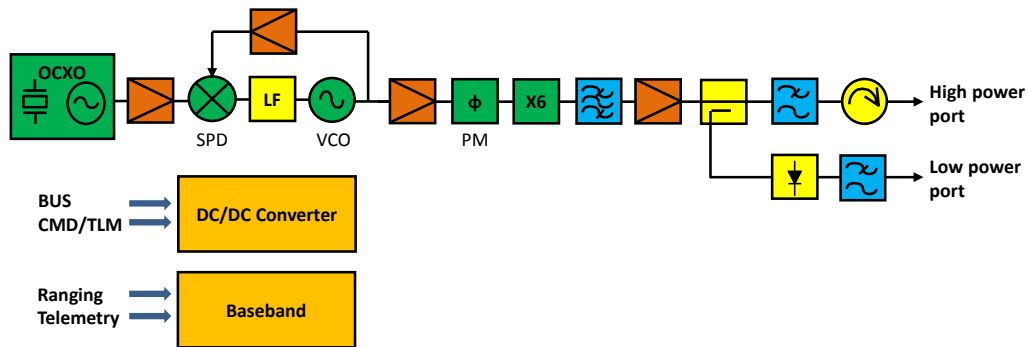
## Features

- ❖ Compact size and low mass
- ❖ High Frequency Stability using OCXO
- ❖ Low Phase Noise using PLL
- ❖ Adjustable to any bus, ranging and telemetry interfaces
- ❖ High output power up to 10W available

## Heritage

- ❖ Superbird
- ❖ Intelsat
- ❖ Himawari  
and more

## Block Diagram



## Main Performances

Operating Frequency Range	10.7 - 12.75 GHz
Output Power (High Power)	28 dBm typ.
(Low Power)	-7 dBm typ.
Frequency Stability at AT level	$\pm 0.4$ ppm
Frequency Stability over life	$\pm 1.7$ ppm
Spurious	< -60 dBc
Harmonics	< -30 dBc
Phase Noise 10 Hz	< -54 dBc/Hz
100 Hz	< -74 dBc/Hz
1 kHz	< -91 dBc/Hz
Power Consumption (High Power)	11 W nom.
Dimension (L x W x H)	160 x 100 x 140 mm
Mass	< 1.2 kg

\*Non contractual information. Subject to change without notice.

For further information please contact us at: [sales@east.melos.co.jp](mailto:sales@east.melos.co.jp) or by phone: +81-3-5719-8645