

C-Band Beacon Transmitter



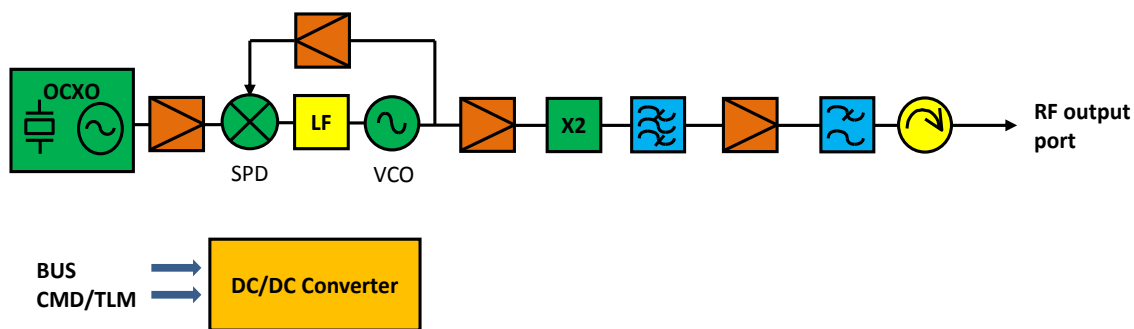
Features

- ❖ Compact size and low mass
- ❖ High Frequency Stability using OCXO
- ❖ Low Phase Noise using PLL
- ❖ Adjustable to any bus, ranging and telemetry interfaces

Heritage

- ❖ ST-2
- ❖ Intelsat
and more

Block Diagram



Main Performances

Operating Frequency Range	3.4 - 4.2 GHz
Output Power	28 dBm typ.
Frequency Stability at AT level	± 0.4 ppm
Frequency Stability over life	± 1.7 ppm
Spurious	< -60 dBc
Harmonics	< -60 dBc
Phase Noise	< -64 dBc
	10 Hz
	100 Hz
	1 kHz
Power Consumption	8 W nom.
Dimension (L x W x H)	160 x 87 x 140 mm
Mass	< 1.0 kg

*Non contractual information. Subject to change without notice.

For further information please contact us at: sales@east.melos.co.jp or by phone: +81-3-5719-8645