

X-Band Beacon Transmitter



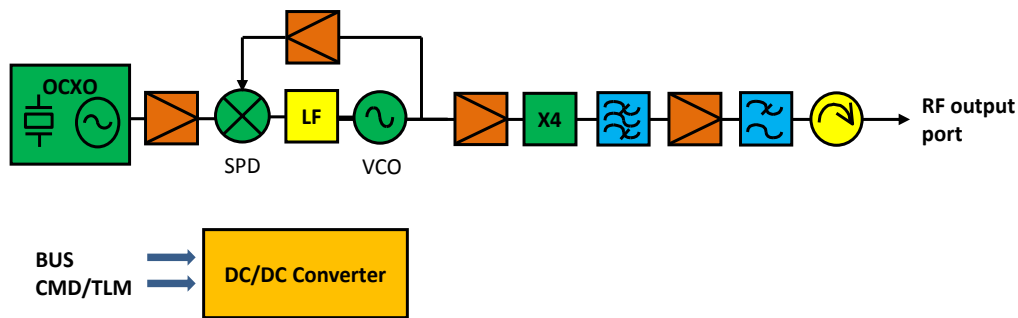
Features

- ❖ Compact size and low mass
- ❖ High Frequency Stability using OCXO
- ❖ Low Phase Noise using PLL
- ❖ Adjustable to any bus, ranging and telemetry interfaces
- ❖ High output power up to 10W available

Heritage

- ❖ Superbird
- ❖ Optus
- ❖ Turksat
and more

Block Diagram



Main Performances

Operating Frequency Range	7.25 - 7.75 GHz
Output Power	26 dBm typ.
Frequency Stability at AT level	± 0.4 ppm
Frequency Stability over life	± 1.7 ppm
Spurious	< -60 dBc
Harmonics	< -50 dBc
Phase Noise	< -59 dBc
	10 Hz
	100 Hz
	1 kHz
Power Consumption	10 W nom.
Dimension (L x W x H)	160 x 80 x 140 mm
Mass	< 1.1 kg

*Non contractual information. Subject to change without notice.

For further information please contact us at: sales@east.melos.co.jp or by phone: +81-3-5719-8645