

C-Band GaN Solid State Power Amplifier



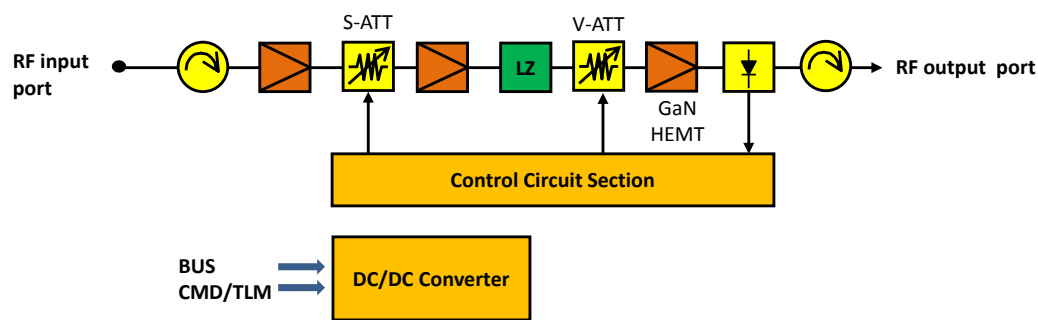
Features

- ❖ 1/3 mass and footprint compared to TWTA
- ❖ Saturated Power up to 70W using GaN device
- ❖ Low distortion performance using MELCO-original linearizer
- ❖ High efficiency
- ❖ Long life and lasting reliability

Heritage

- ❖ Commercial program (launch due 2015)

Block Diagram



Main Performances

Operating Frequency Range	3.7 - 4.2 GHz
Nominal Gain	70 dB
Rated Output Power	70 W
Overdrive Capability	2 dBm
Gain Control	0 - 30 dB with 1 dB step
C/3IM	> 20 dBc
Noise Power Ratio	> 15 dB
Power Consumption	165 W nom.
Dimension (L x W x H)	250 x 110 x 120 mm
Mass	< 1.8 kg

*Non contractual information. Subject to change without notice.

For further information please contact us at: sales@east.melos.co.jp or by phone: +81-3-5719-8645

MITSUBISHI ELECTRIC TOKKI SYSTEMS PROPRIETARY


**MITSUBISHI
ELECTRIC**
Changes for the Better