

C-Band Solid State Power Amplifier



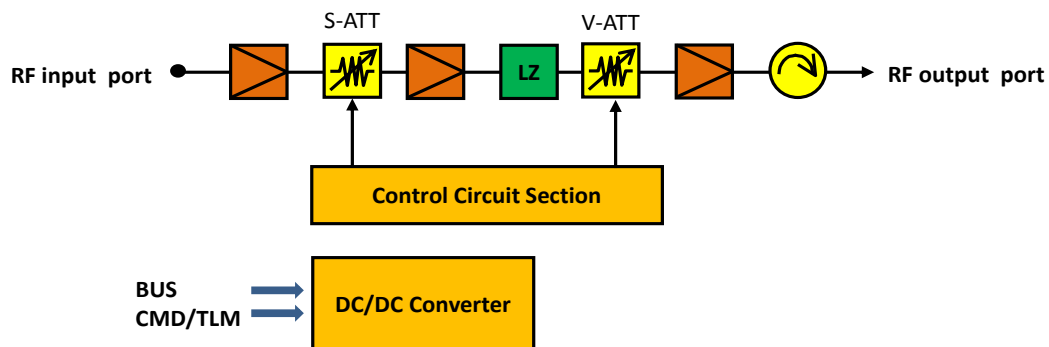
Features

- ❖ Compact size and low mass
- ❖ High efficiency and high output power
- ❖ Low distortion performance using MELCO-original linearizer
- ❖ L/S-band available in similar configuration

Heritage

- ❖ GSAT
- ❖ INSAT
- ❖ Inmarsat
and more

Block Diagram



Main Performances

Operating Frequency Range	4.5 - 4.8 GHz
Nominal Gain	85 dB
Rated Output Power	14 W
Overdrive Capability	1 dBm
Gain Control	0 - 24 dB with 1 dB step
C/3IM	> 30 dBc
Power Consumption	46 W nom.
Dimension (L x W x H)	200 x 110 x 60 mm
Mass	< 1.0 kg

*Non contractual information. Subject to change without notice.

For further information please contact us at: sales@east.melos.co.jp or by phone: +81-3-5719-8645