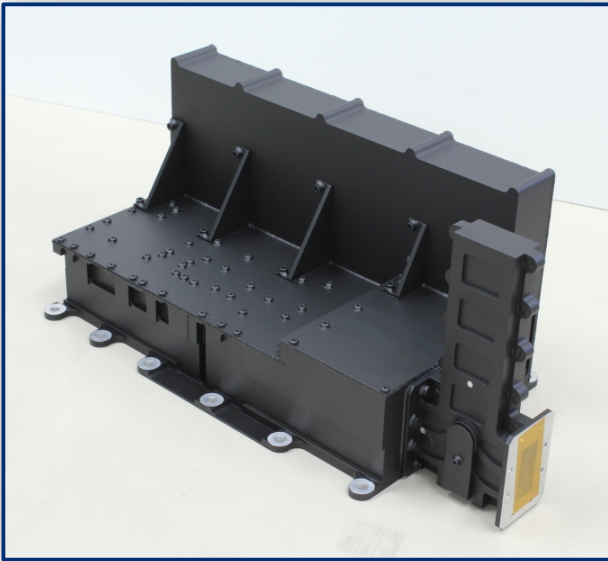


X-Band Solid State Power Amplifier



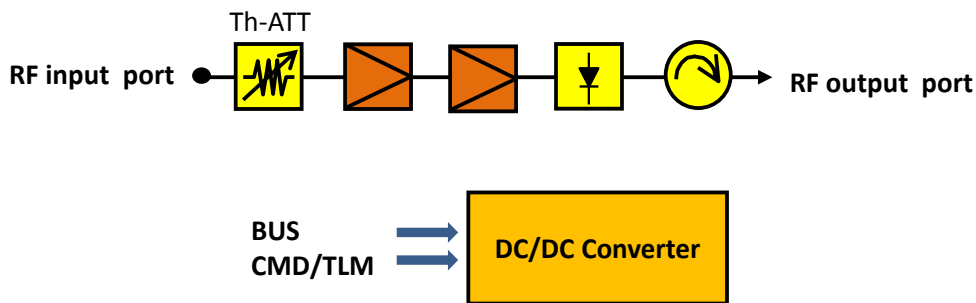
Features

- ❖ Compact size and low mass
- ❖ Low noise figure using Mitsubishi HEMT
- ❖ High efficiency and high output power
- ❖ Low distortion performance using MELCO-original linearizer
- ❖ L/S-band available in similar configuration

Heritage

- ❖ Domestic and international government programs

Block Diagram



Main Performances

Operating Frequency Range	7.9 - 8.4 GHz
Nominal Gain	40 dB
Rated Output Power	20 W
Overdrive Capability	5 dBm
Gain Control	Fixed
C/3IM	> 25 dBc
Power Consumption	86 W nom.
Dimension (L x W x H)	310 x 140 x 140 mm
Mass	< 2.2 kg

*Non contractual information. Subject to change without notice.

For further information please contact us at: sales@east.melos.co.jp or by phone: +81-3-5719-8645